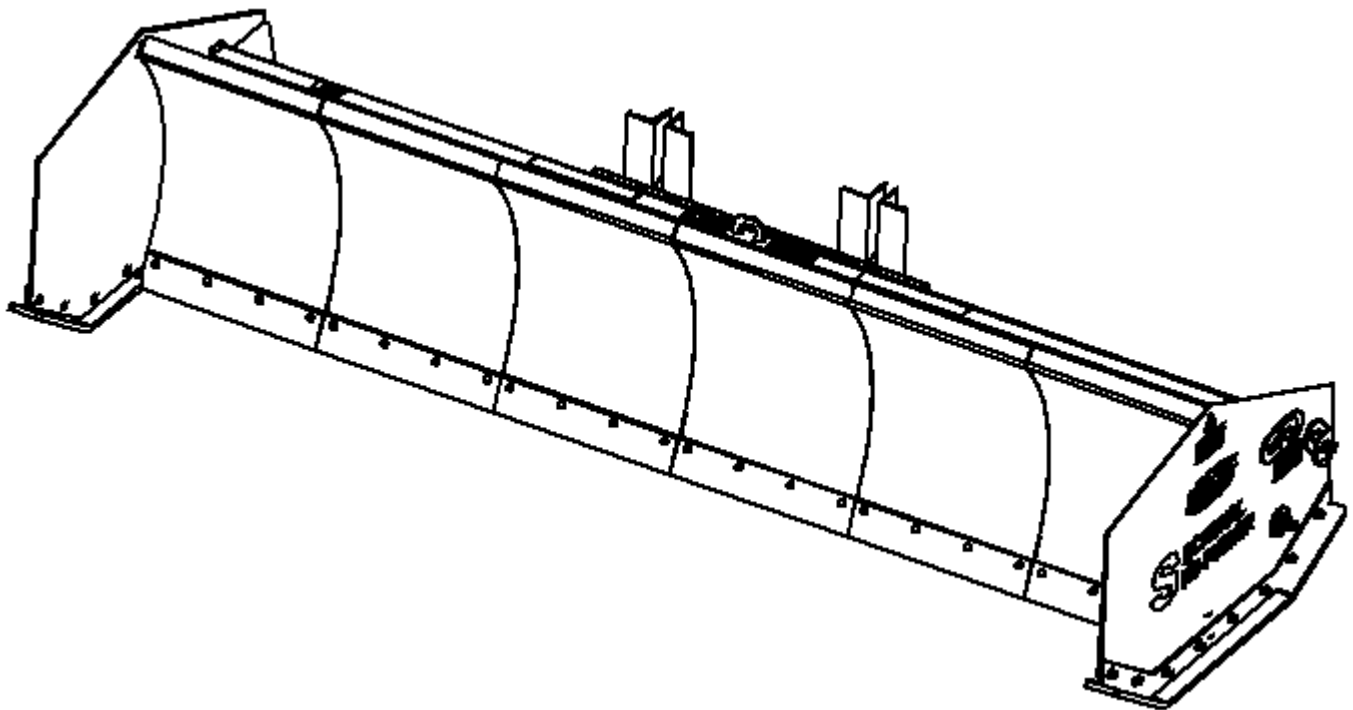




# SECTIONAL SNOW-PUSHER™

## HEAVY DUTY PARTS MANUAL

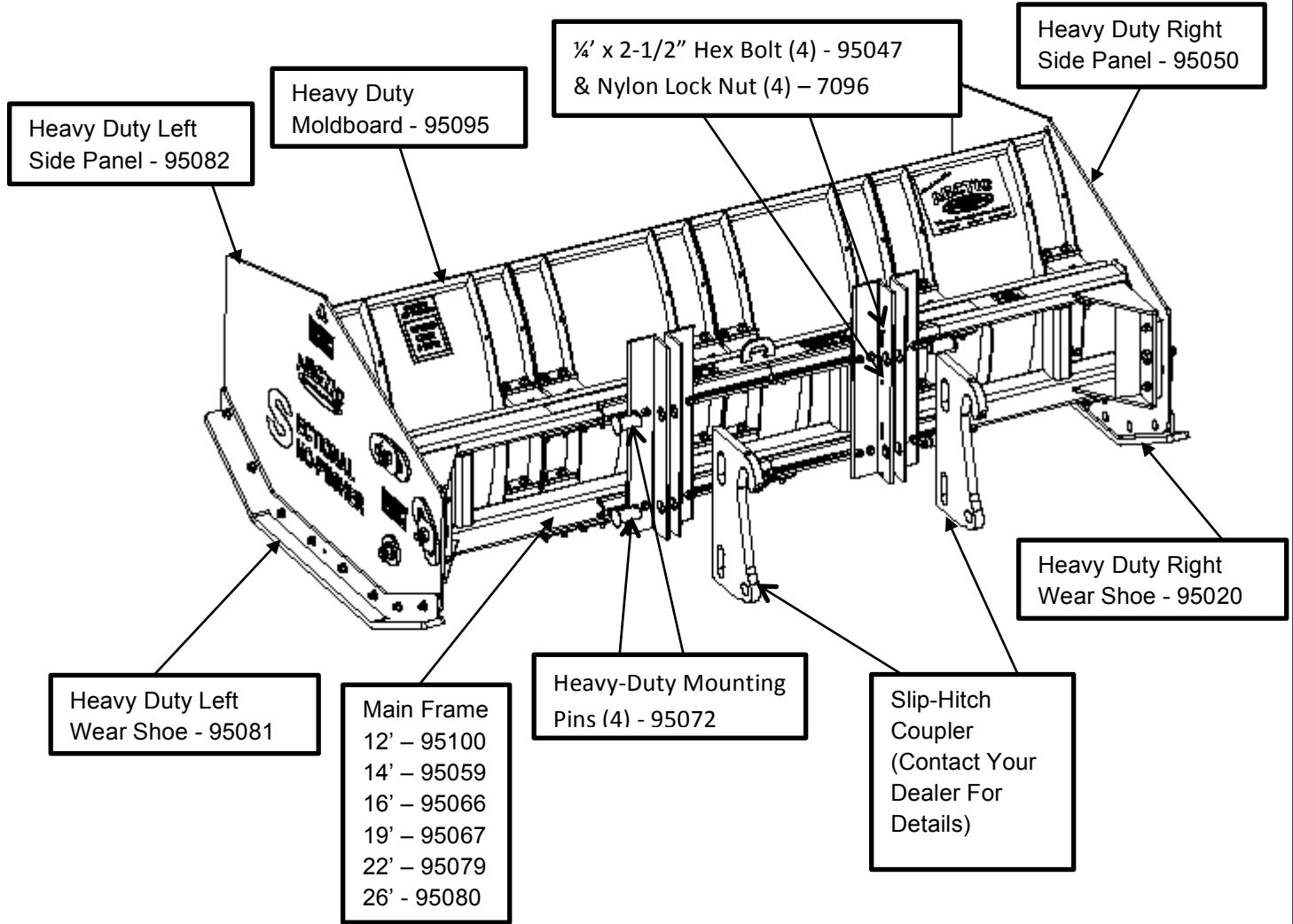


REV. 1  
RELEASED: 3/19/2013

## Table of Contents

<b>1. Complete Unit</b>	<b>Pg. 3</b>
<b>2. Heavy Duty Moldboard</b>	<b>Pg. 4</b>
<b>3. Heavy Duty Side Panel with Wear Shoe</b>	<b>Pg. 5</b>
<b>4. Installation of Side Panel to Main Frame Hardware</b>	<b>Pg. 6</b>
<b>5. Main Frame</b>	<b>Pg. 7</b>
<b>6. Installation of Heavy Duty Moldboard to Main Frame Hardware</b>	<b>Pg. 8</b>
<b>7. Parts List</b>	<b>Pg. 9-10</b>

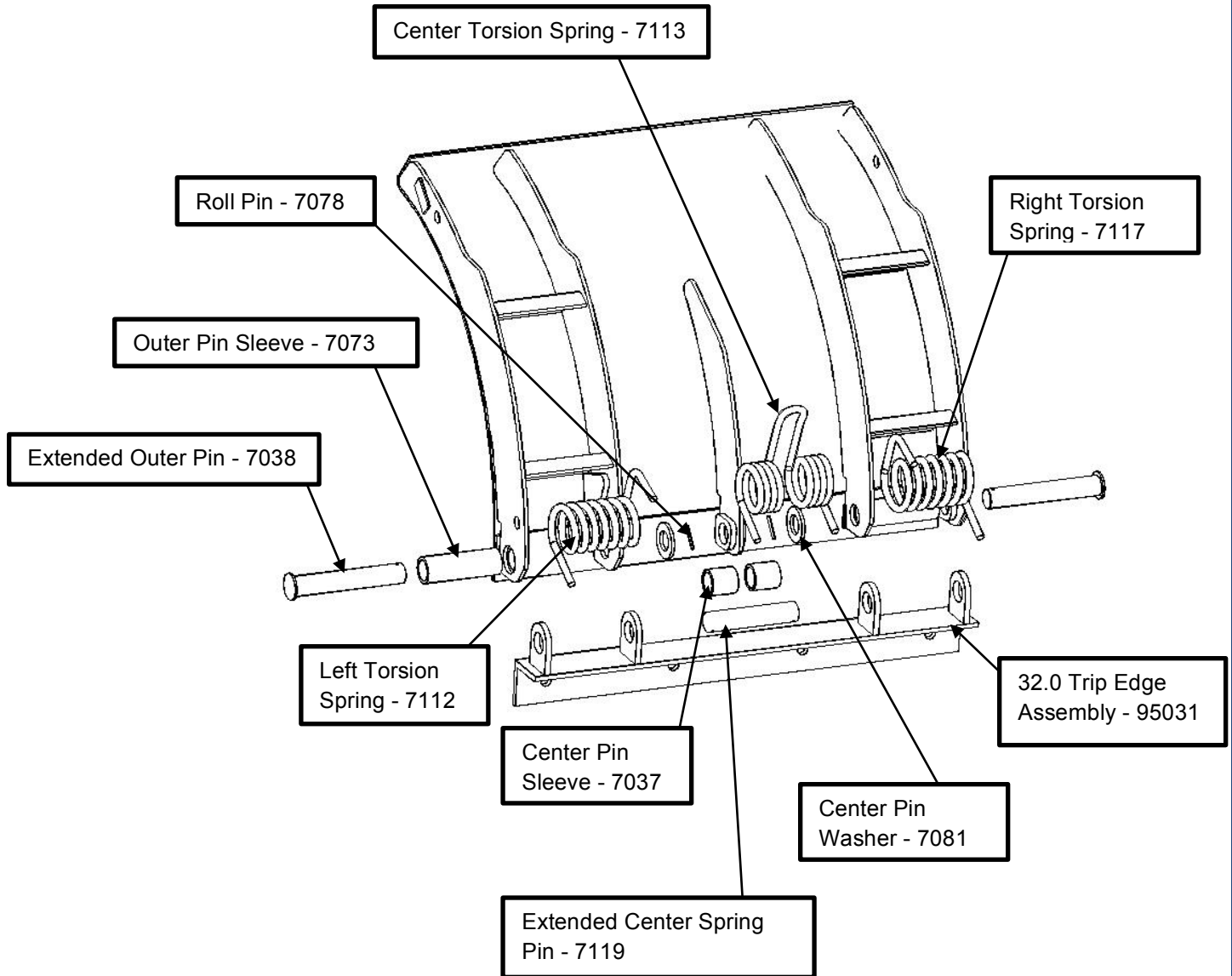
# Complete Unit



Phone: 815-932-7569  
 FAX: 815-939-1465

[www.sectionalsnopusher.com](http://www.sectionalsnopusher.com)

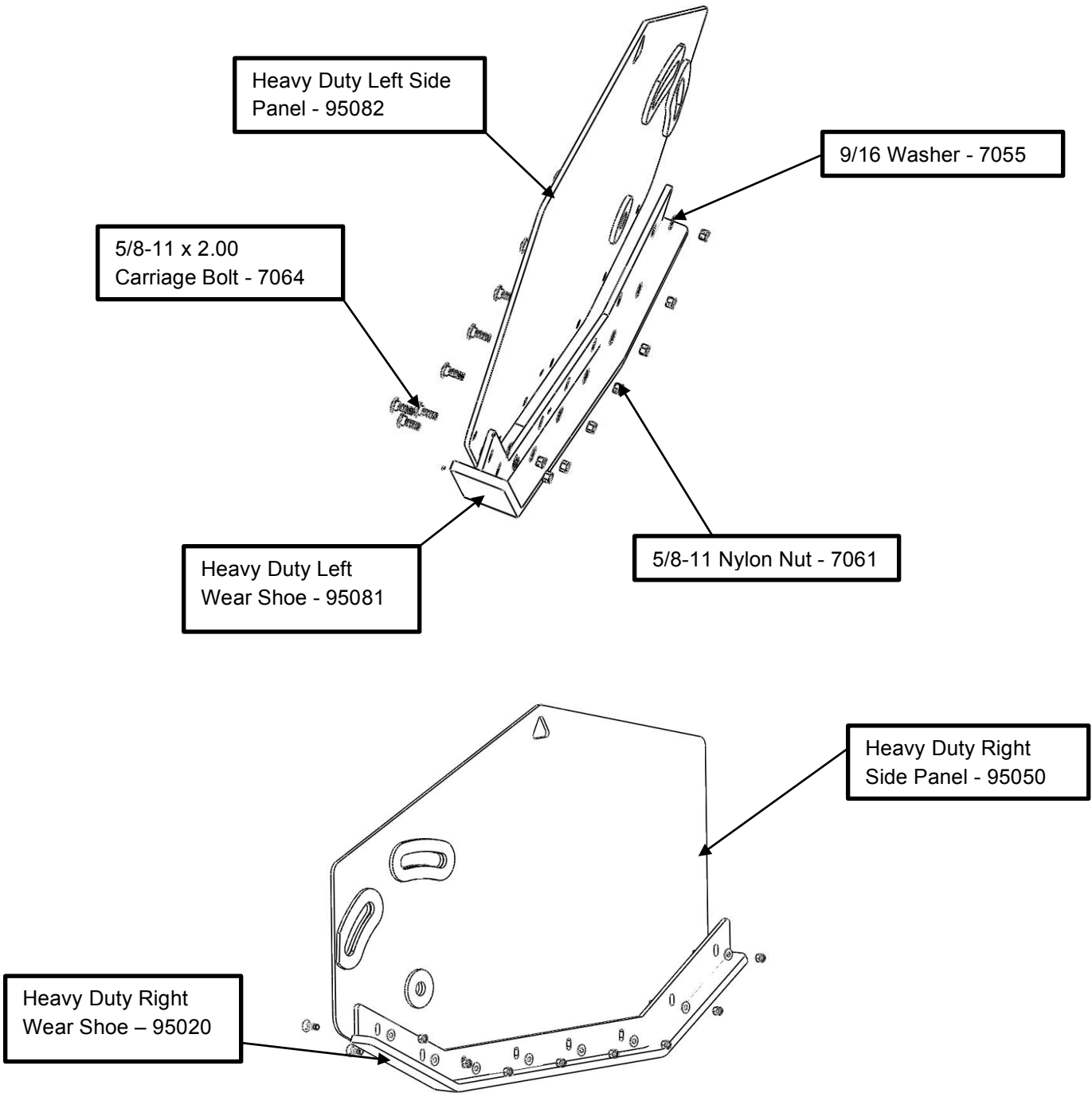
# Heavy Duty Moldboard 95095



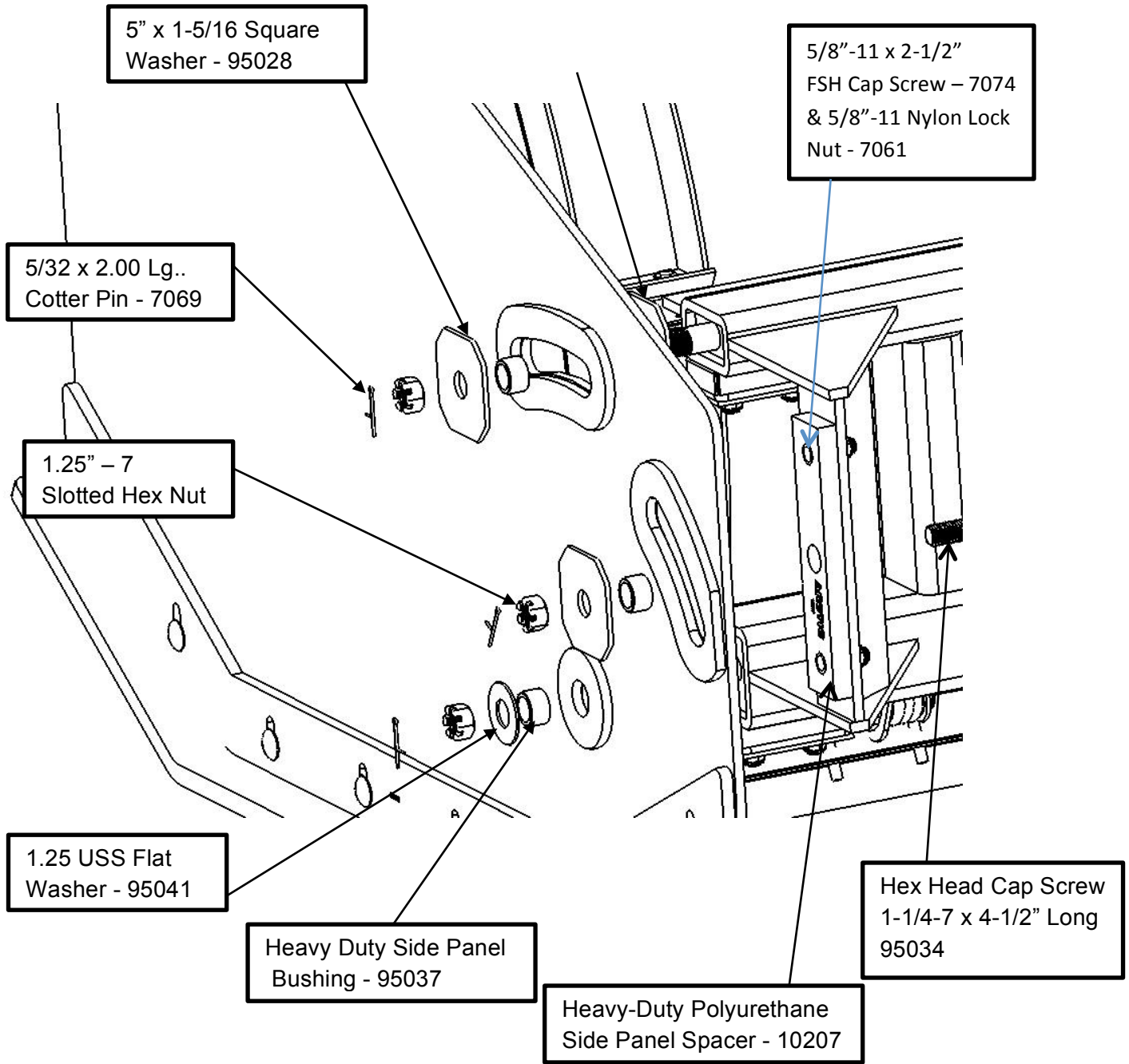
Phone: 815-932-7569  
FAX: 815-939-1465

[www.sectionalsnopusher.com](http://www.sectionalsnopusher.com)

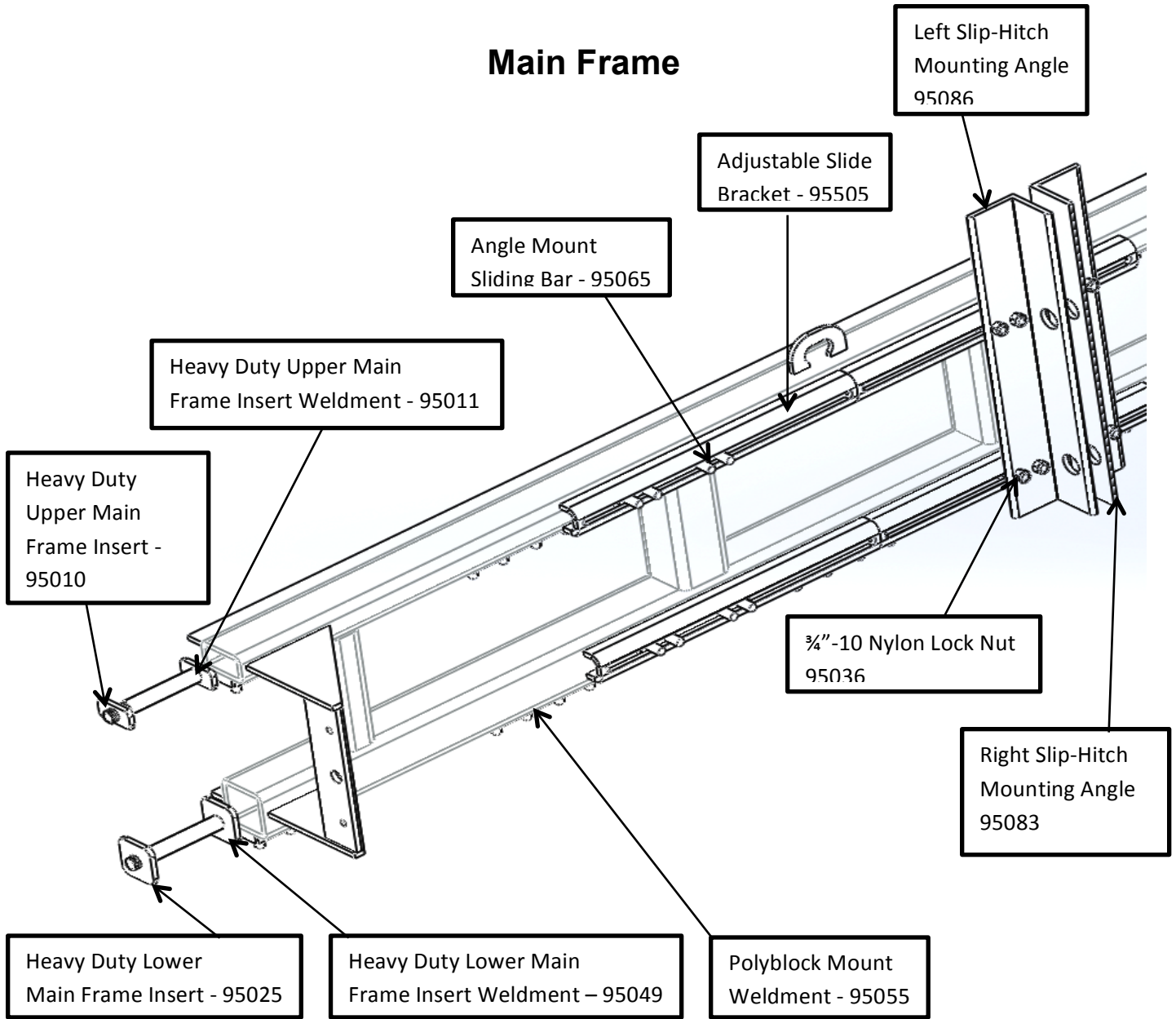
# Heavy Duty Side Panel with Wear Shoe



## Installation of Side Panel to Main Frame Hardware



# Main Frame



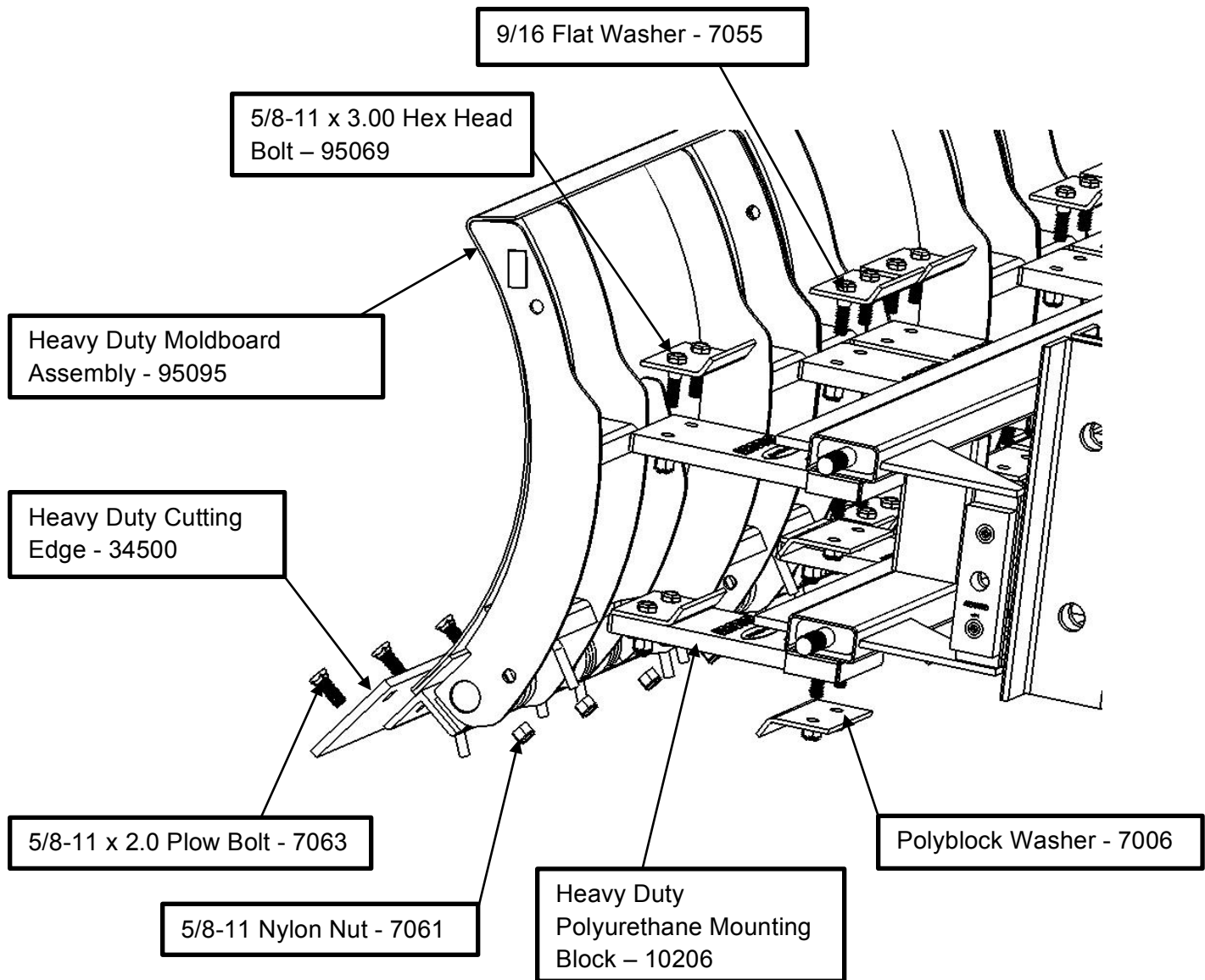
12 Ft Heavy Duty Frame	960 lbs.	# 95100
14 Ft Heavy Duty Frame	1115 lbs.	# 95059f
19 Ft Heavy Duty Frame	1500 lbs.	# 95067
22 Ft Heavy Duty Frame	1760 lbs.	# 95079
26 Ft Heavy Duty Frame	2810 lbs.	# 95080



Phone: 815-932-7569  
FAX: 815-939-1465

[www.sectionalsnopusher.com](http://www.sectionalsnopusher.com)

# Installation of Heavy Duty Moldboard to Main Frame Hardware



Questions or comments  
feel free to call  
1.815.932.P.L.O.W. (7569)



## Part List

	Heavy Duty Sectional Plow	Part Number
Pg. 3	<b>Complete Unit</b>	
	Heavy Duty Mold Board	95095
	Heavy Duty Mounting Pin	95072
	0.25-20 x 2.50 Lg. Hex Bolt	95047
	0.25-20 Nylon Lock Nut	7096
	Heavy Duty Left Side Panel	95082
	Heavy Duty Right Side Panel	95050
	12' Heavy-Duty Frame	95100
	14' Heavy-Duty Frame	95059
	16' Heavy-Duty Frame	95066
	19' Heavy-Duty Frame	95067
	22' Heavy-Duty Frame	95079
	26' Heavy-Duty Frame	95080
	Slip-Hitch Coupler (Contact Your Dealer)	
Pg. 4	<b>Heavy Duty Moldboard</b>	
	Center Torsion Spring	7113
	Left Torsion Spring	7112
	Right Torsion Spring	7117
	32" Trip Edge Assembly	95031
	Center Pin Sleeve	7037
	Roll Pin	7078
	Center Pin Washer	7081
	Extended Outer Pin	7038
	Outer Pin Sleeve	7073
	Extended Center Spring Pin	7119
Pg.5	<b>Heavy Duty Side Panel with Wear Shoe</b>	
	Heavy- Duty Left Side Panel	95082
	Heavy- Duty Right Side Panel	95050
	Heavy-Duty Right Wear Shoe	95020
	Heavy-Duty Left Wear Shoe	95081
	9/16 USS Flat Washer	7055
	5/8-11 Nylon Lock Nut	7061
	5/8-11 x 2.00 Round Hd. Carriage Bolt	7064



Phone: 815-932-7569

FAX: 815-939-1465

[www.sectionalsnopusher.com](http://www.sectionalsnopusher.com)

### Part List

Pg. 6	<b>Side Panel to Main Frame Hardware</b>	
	1.25 USS Flat Washer	95041
	5" x 1-5/16 Square Washer	95028
	5/8"-11 x 2-1/2" FSH Cap Screw	7074
	5/8"-11 Nylon Lock Nut	7061
	5/32 x 2.00 Cotter Pin	7069
	Heavy Duty Side Panel Bushing	95037
	1.25-7 Slotted Hex Nut	95033`
	1 1/4-7 X 4 1/2 HH Cap Screw	95034
	Polyurethane Side Panel Spacer	10207
Pg. 7	<b>Main Frame</b>	
	Heavy Duty Upper Main Frame Insert Weldment	95011
	Heavy Duty Upper Main Frame Insert Plate	95010
	Heavy Duty Lower Main Frame Insert Weldment	95049
	Heavy Duty Lower Main Frame Insert Plate	95025
	Adjustable Slide Bracket	95505
	Angle Mount Sliding Bar	95065
	Right Slip-Hitch Mounting Angle	95083
	Left Slip-Hitch Mounting Angle	95086
	3/4"-10 Nylon Lock Nut	95036
	Polyblock Mount Weldment	95055
Pg. 8	<b>Heavy Duty Moldboard to Main Frame Hardware</b>	
	Heavy Duty Cutting Edge	34500
	5/8-11 Nylon Lock Nut	7061
	5/8-11 x 2.00 Plow Bolt	7063
	Polyblock Washer	7006
	Heavy Duty Polyurethane Mounting Block	10206
	Heavy Duty Moldboard Assembly	95095
	5/8-11 x 3.00 Lg. Hex Hd. Bolt	95069
	9/16 Flat Washer	7055