



SECTIONAL NO-PUSHER™

COMPACT DUTY PARTS MANUAL

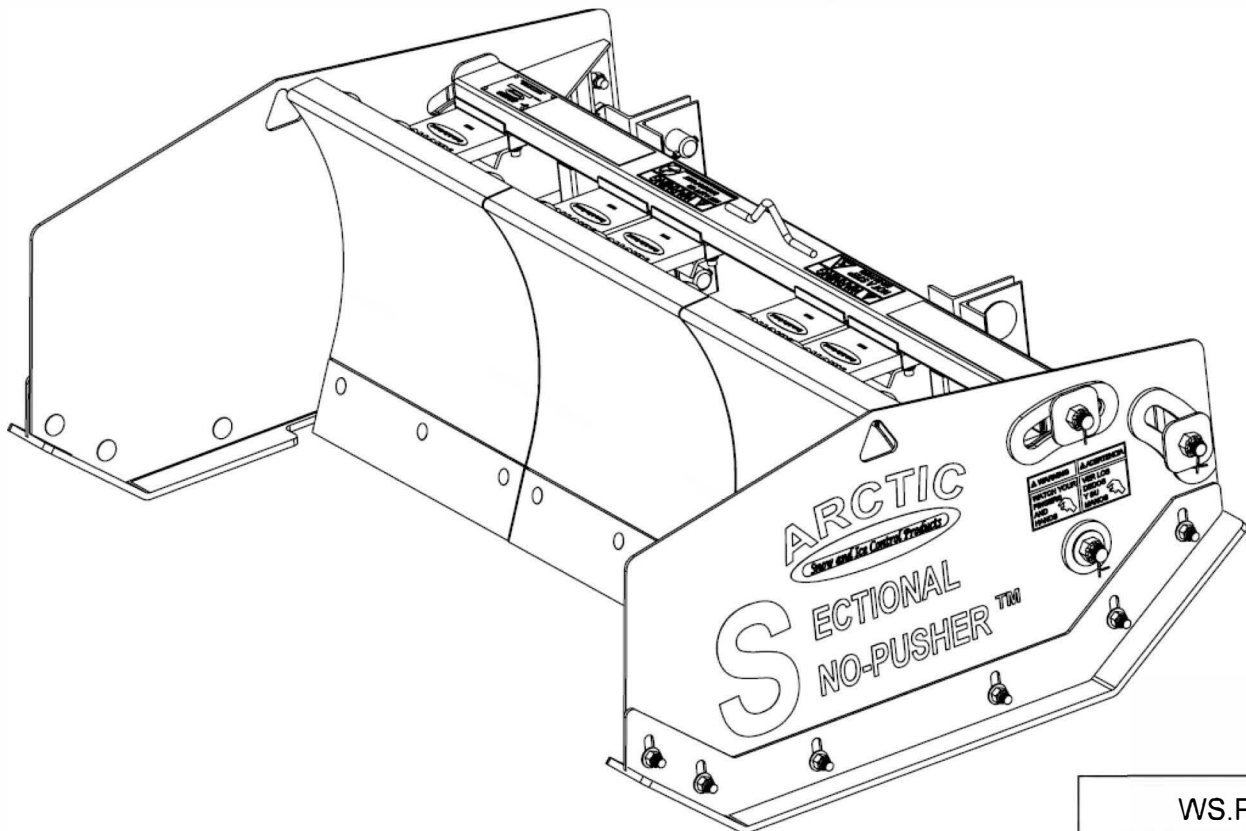
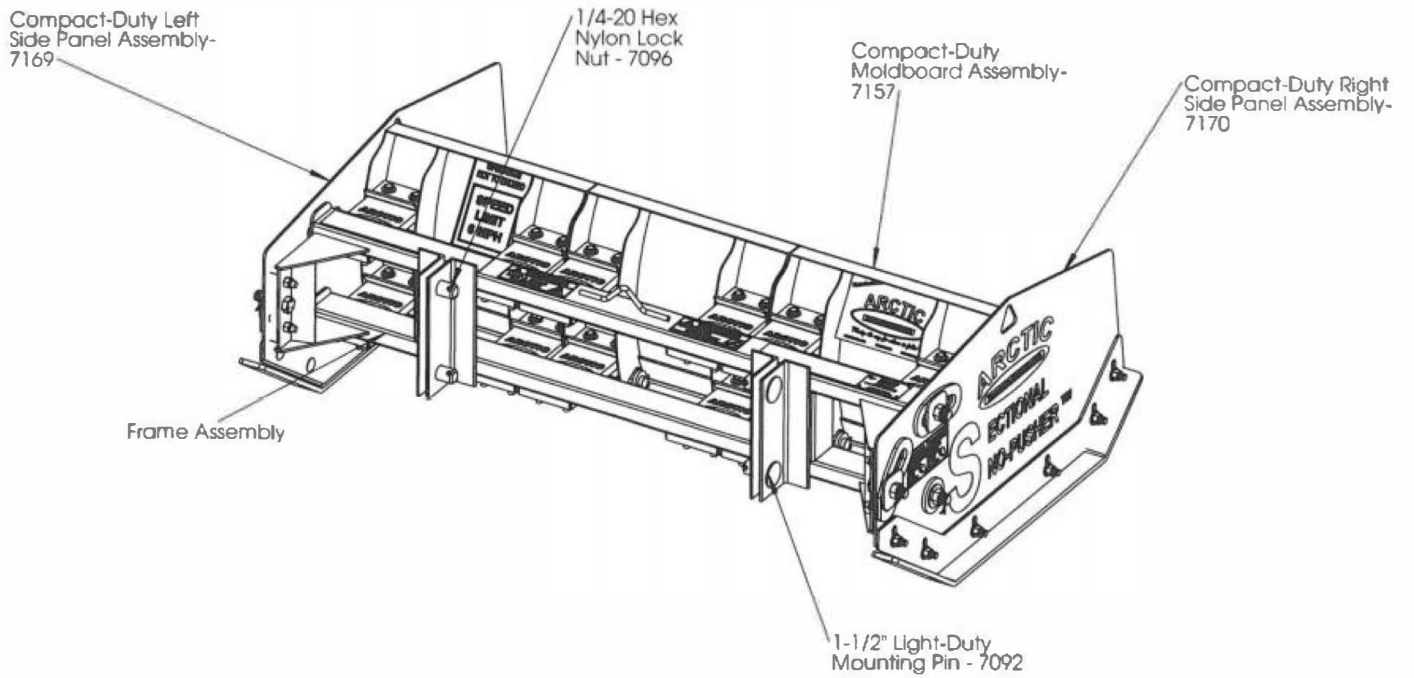


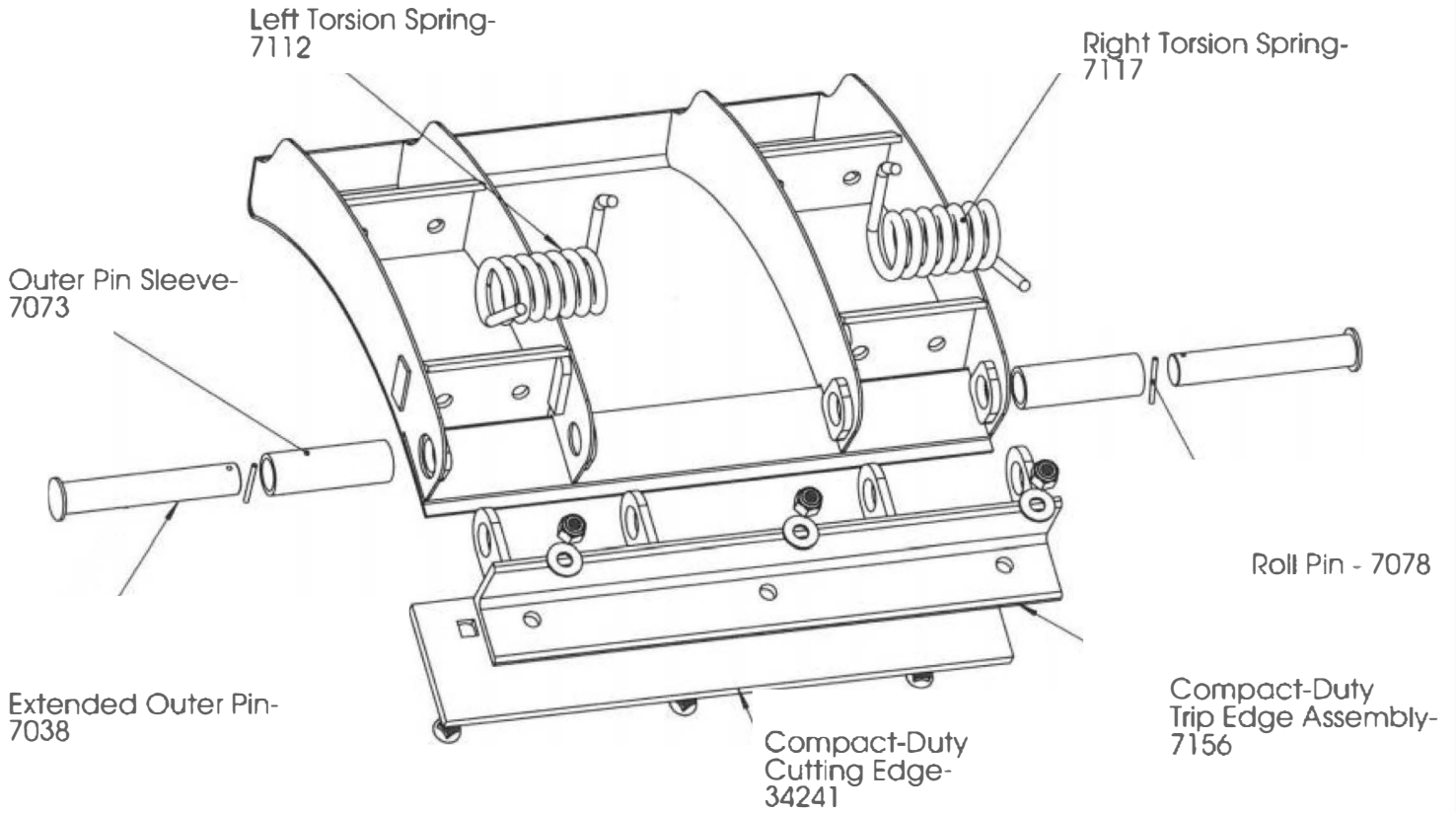
Table of Contents

1. Complete Unit	Pg. 3
2. Compact-Duty Moldboard Assembly	Pg. 4
3. Compact-Duty Side Panel with Wear Shoe	Pg. 5
4. Installation of Side Panel to Main Frame	Pg. 6
5. Main Frame	Pg. 7
6. Installation of Compact-Duty Moldboard to Main Frame	Pg. 8
7. Parts List	Pg. 9-10

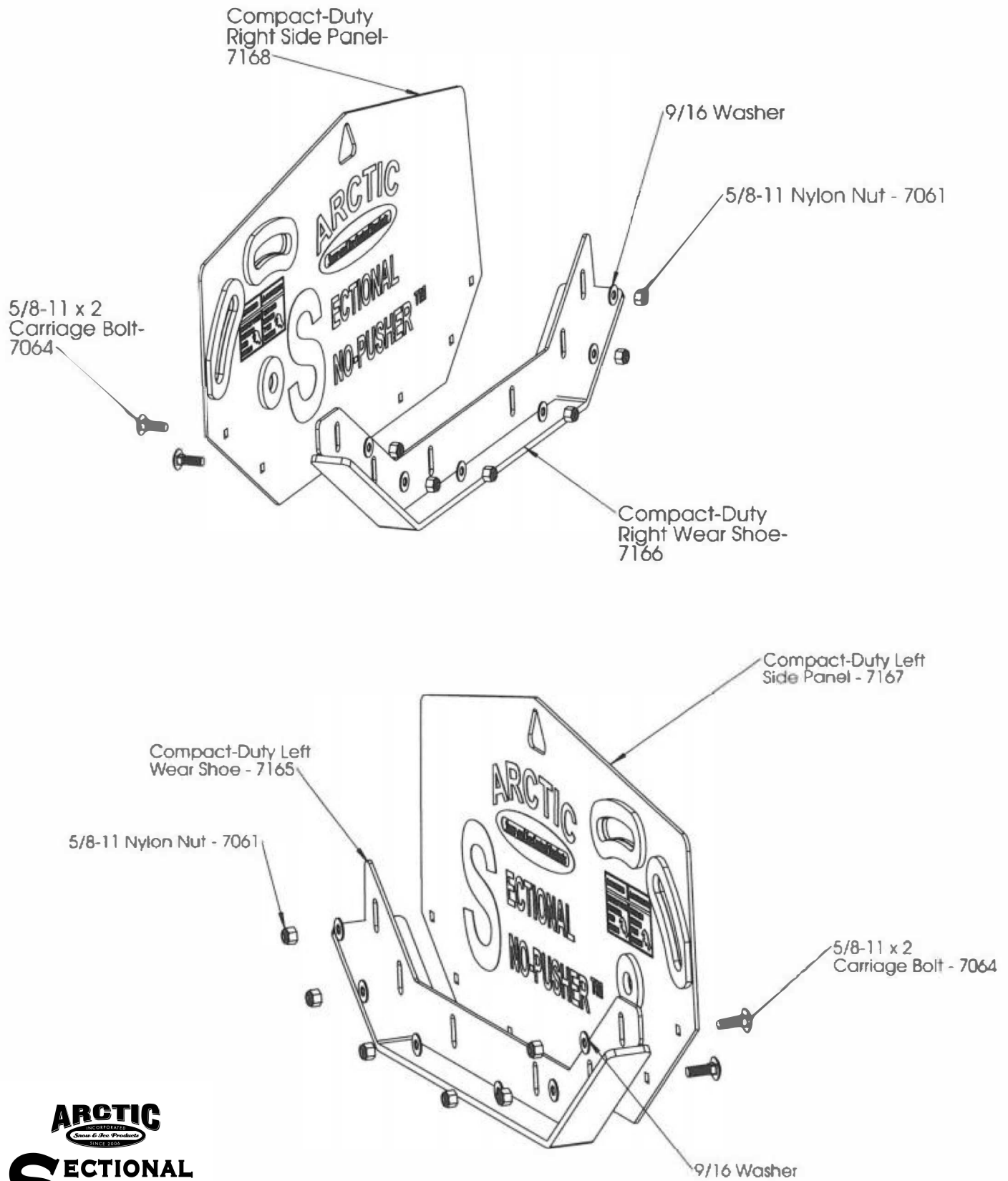
Complete Unit - 07160



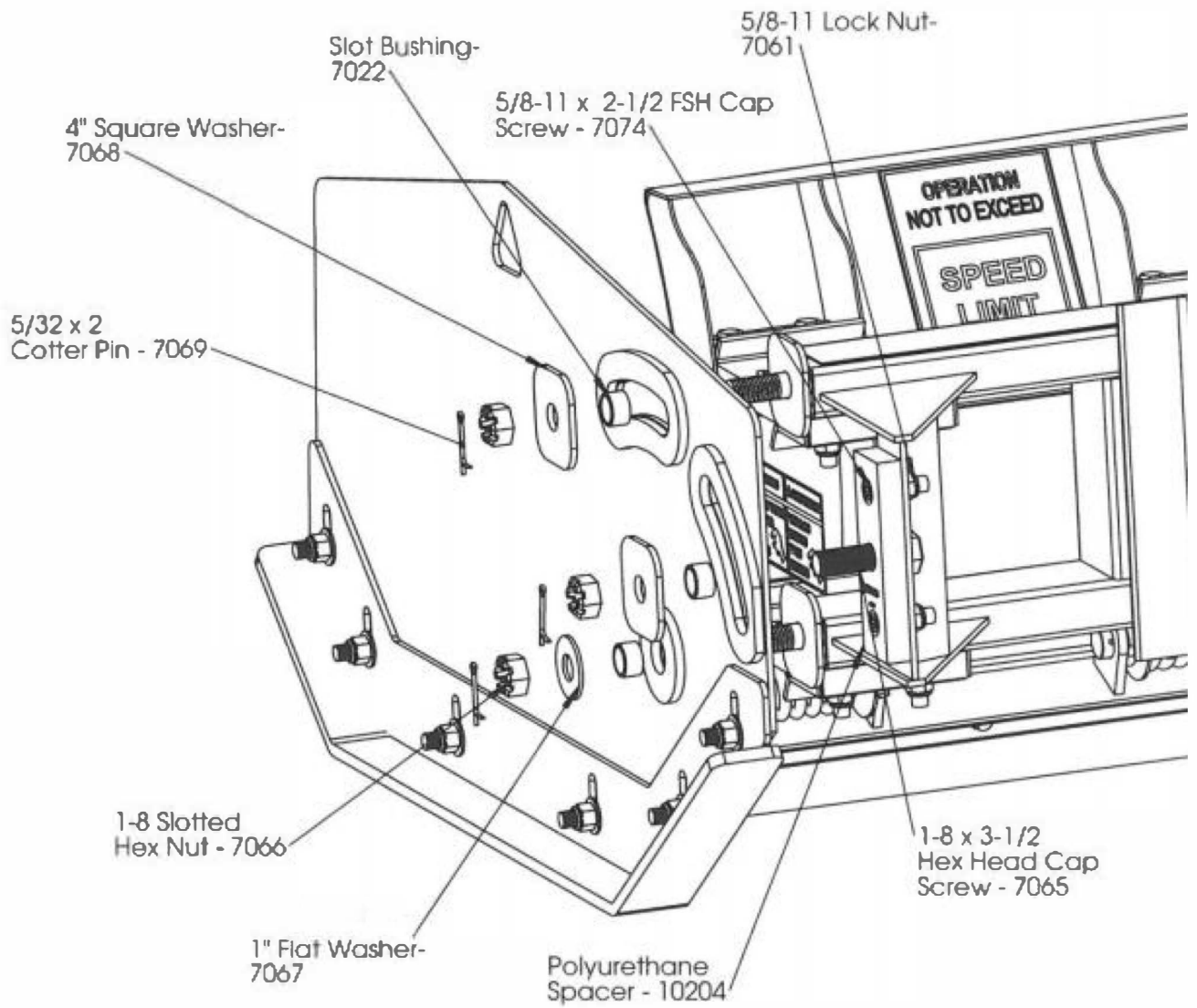
Compact-Duty Moldboard Assembly



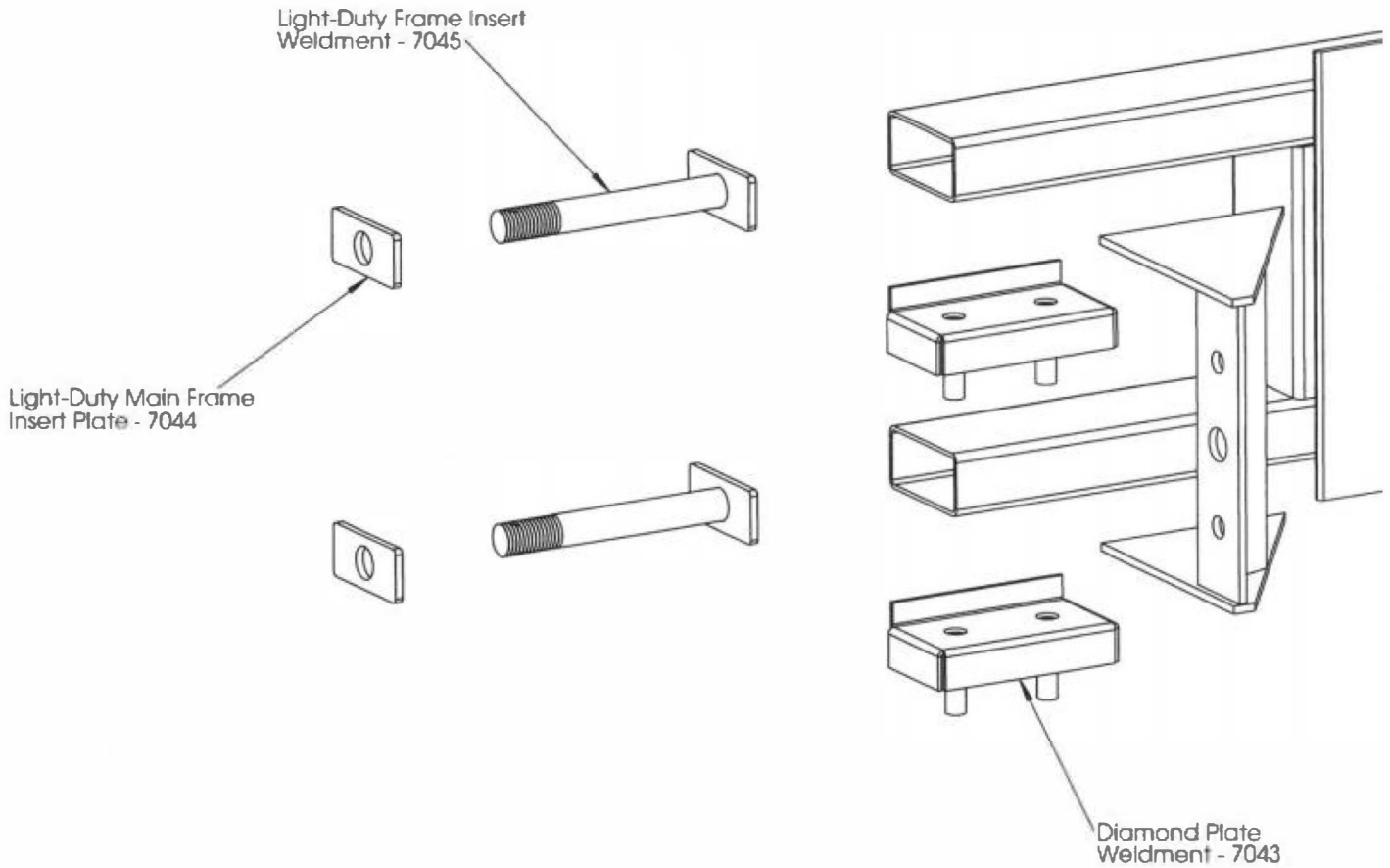
Compact-Duty Side Panel with Wear Shoe



Installation of Side Panel to Main Frame



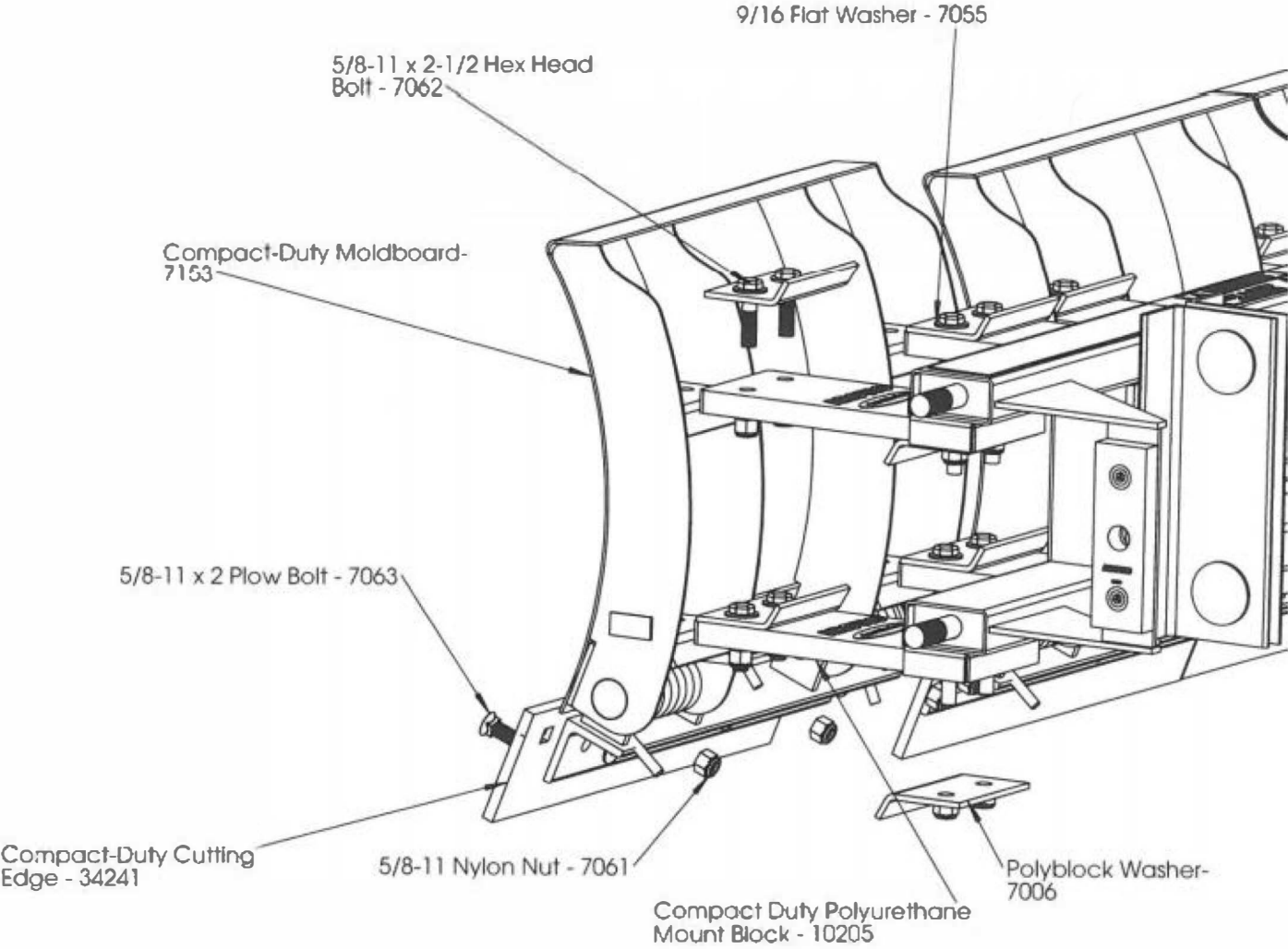
Main Frame



6 ft. Compact-Duty Main Frame #7145

8 ft. Compact-Duty Main Frame #7171

Installation of Compact-Duty Moldboard to Main Frame



Compact-Duty Sectional Plow	Part Number
Complete Unit	
Compact-Duty Moldboard Assembly	7157
Light-Duty Mounting Pin	7092
0.25-20 x 2 Lg. Hex Bolt	7097
0.25-20 Nylon Hex Nut	7096
Compact-Duty Left Side Panel Assembly	7169
Compact-Duty Right Side Panel Assembly	7170
6' Frame	7145
Compact-Duty Moldboard	
Left Torsion Spring	7112
Right Torsion Spring	7117
Compact-Duty Trip Edge Assembly	7156
Roll Pin	7078
Extended Outer Pin	7038
Outer Pin Sleeve	7073
Compact-Duty Moldboard	7153
Compact-Duty Side Panel with Wear Shoe	
Compact-Duty Right Side Panel	7168
Compact-Duty Left Side Panel	7167
Compact-Duty Right Wear Shoe	7166
Compact-Duty Left Wear Shoe	7165
9/16 USS Flat Washer	7066
5/8-11 Nylon Lock nut	7061
5/8-11 x 2 Round Head Carriage Bolt	7064
Side Panel and Main Frame Hardware	
1-8 x 3-1/2 Hex Head Cap Screw	7065
1-5/8"OD End Panel Slot Bushing	7022
4" Square Washer w/1-1/16" Diameter Hole	7068
5/32 x 2 Cotter Pin	7069
1-8 Slotted Hex Nut	7066
1" Flat Washer	7067
5/8"-11 x 2-1/2 FSH Cap Screw	7074
5/8"-11 Nylon Lock Nut	7061
Polyurethane Side Panel Spacer	10204
Main Frame	
Light Duty Frame Insert Weldment	7045
Light Duty Main Frame insert Plate	7044
Polyblock Mounting Diamond Plate Weldment	7043
Light Duty Moldboard to Main Frame Hardware	
Compact-Duty Cutting Edge	34241

5/8-11 Nylon Lock Nut	7061
5/8-11 x 2 Plow Bolt	7063
¼" Plate Polyblock Washer	7006
Light-Duty Polyurethane Mounting Block	10205
Compact-Duty Moldboard Assembly	7021
5/8-11 x 2-1/2 Lg. Hex Head Bolt	7062
9/16 Flat Washer	7055

